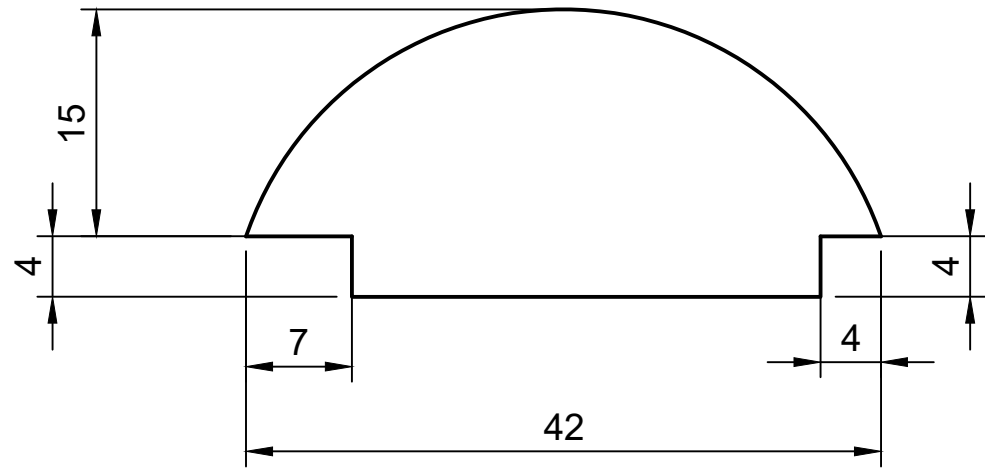
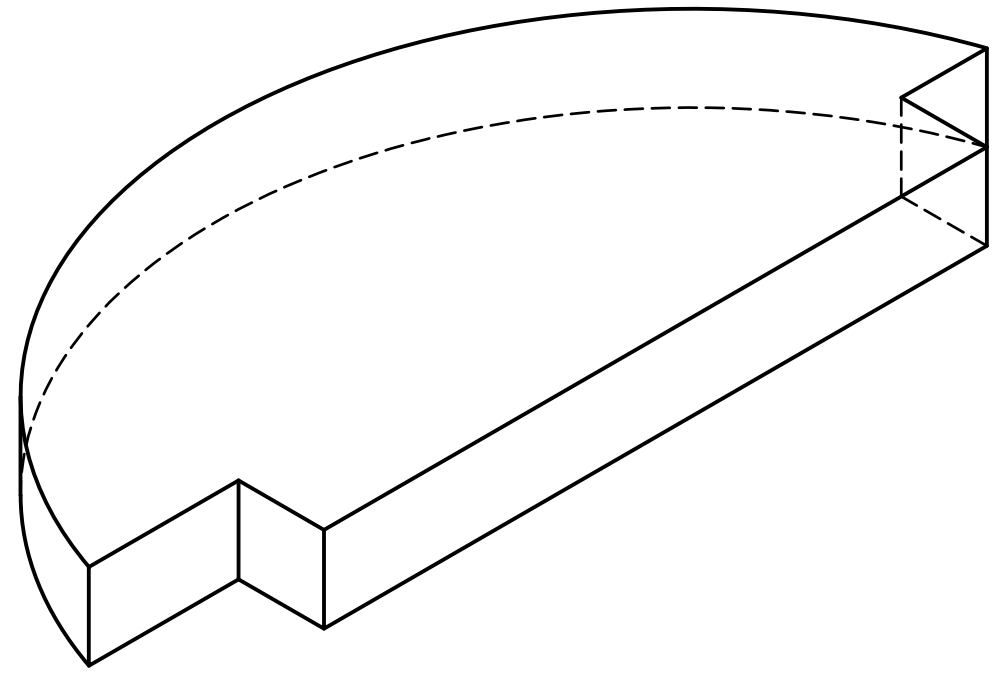
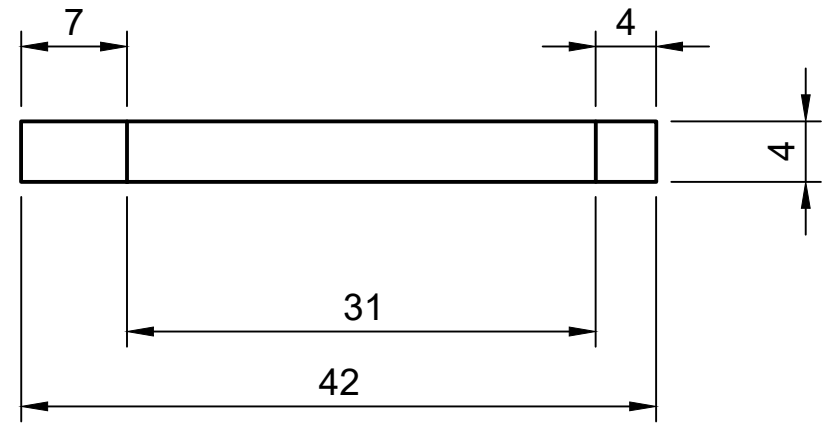


OBEN



VORNE



Dept.	Technical reference	Created by <b>Anatolij Fandrich 18.06.2019</b>	Approved by
		Document type	Document status
		Title <b>Paddel</b>	DWG No.
	Rev.	Date of issue	Sheet <b>1/1</b>